

QLA-2000-26500-25-40

2~26.5GHz, 25dB, 4dB

Features:

- * Broad Band
- * Low Noise

Applications:

- * Wireless
- * Receiver
- * Laboratory Test
- * Radar

Electrical

Frequency:	2~26.5GHz
Gain:	25dB min.
Gain Flatness:	±2dB typ.
Output Power (P1dB):	+8dBm min.
Noise Figure:	4dB typ.
Spurious:	-60dBc max.
VSWR:	1.8 typ.
Voltage:	+12V DC
Current:	150mA typ.
Impedance:	50Ω
Input Power:	+10dBm max.

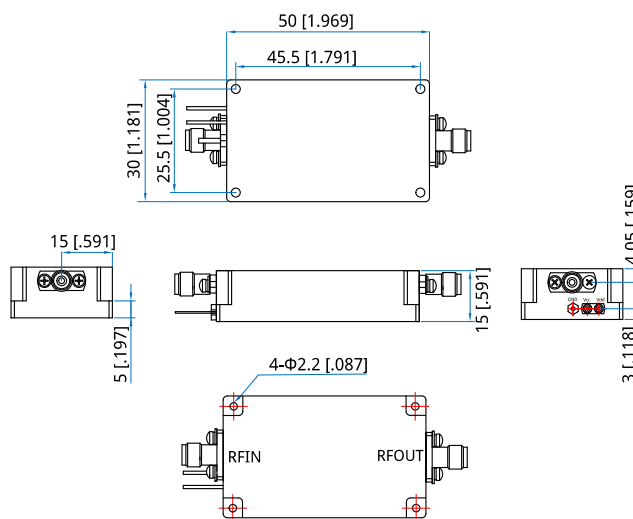
Mechanical

Size*1:	50*30*15mm 1.969*1.181*0.591in
Weight:	200g max.
RF Connectors:	2.92mm Female
Mounting:	4-Φ2.2mm through-hole

[1] Exclude connectors.

Environmental

Operating Temperature:	-20~+50°C
Non-operating Temperature:	-40~+85°C

Outline Drawings


Unit: mm [in]

Tolerance: ±0.2mm [±0.008in]

How To Order

QLA-2000-26500-25-40

Customization is available upon request.